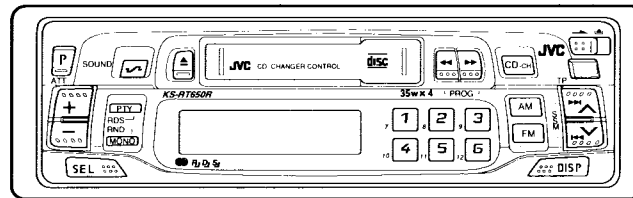
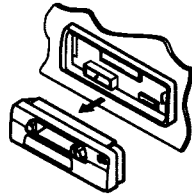


JVC

SERVICE MANUAL

CASSETTE RECEIVER

KS-RT650R B/E/G/GI/GE



Since the contents of this service manual KS - RT650R for this model are partly the same as those of the service manual RT550R (No. 49421), the same contents have been omitted. Therefore, refer to the service manual KS-RT550R regarding the following omitted items:

Omitted Items

Instructions
Removal of main parts
Main adjustment
Block diagram (Integrated circuit section)
Tuner pack circuit
Exploded view of cassette mechanism
Accessories illustration

Area Suffix

B.....U.K.
E..... Continental Europe
G..... Germany
GI..... Italy
GE..... Eastern Europe,
Austria and Switzerland

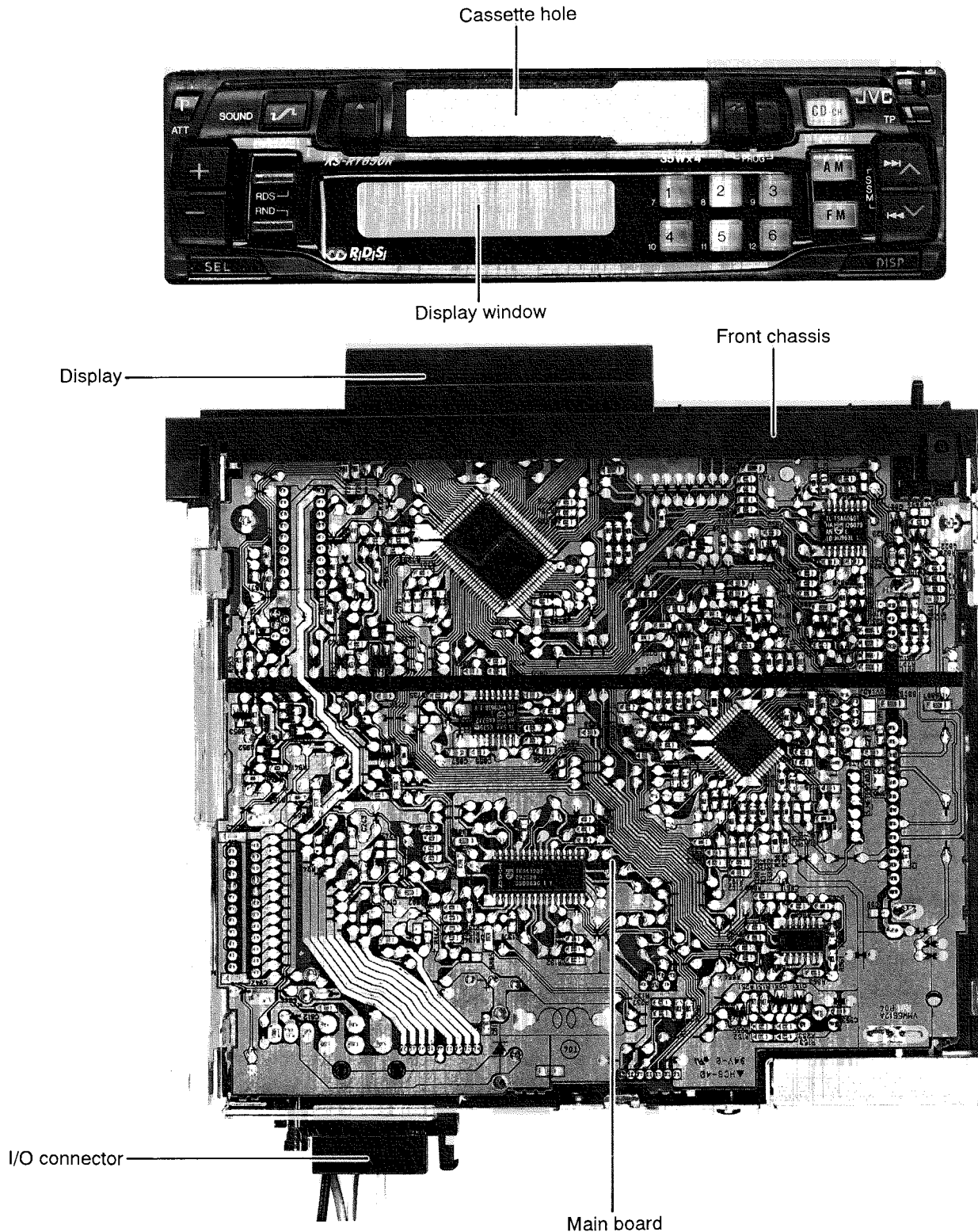
Contents

1	Location of Main Parts	2	5	Location of P. C. Board Parts and Parts List	9
2	Wiring Connections	4	6	Exploded View of Enclosure Assembly	
3	Block Diagram	5		Parts and Parts List	13
4	Standard Schematic Diagram	6	7	Packing of Illustration and Parts List	15

⚠ CAUTION

Burrs formed during molding may be left over on some parts of the chassis. Therefore, pay attention to such burrs in the case of preforming repair of this system.

1 Location of main parts



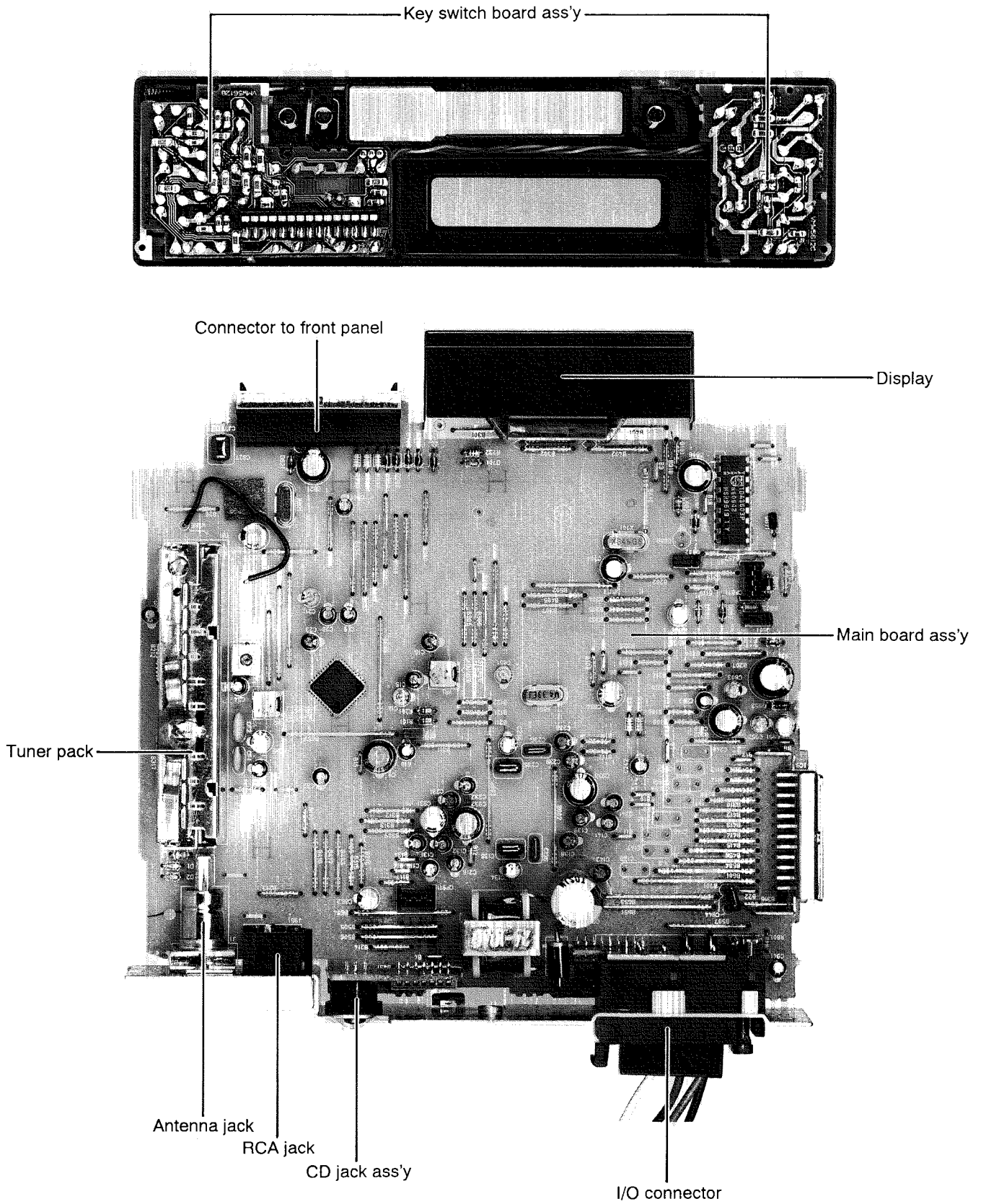


Fig. 1-2

2 Wiring connections

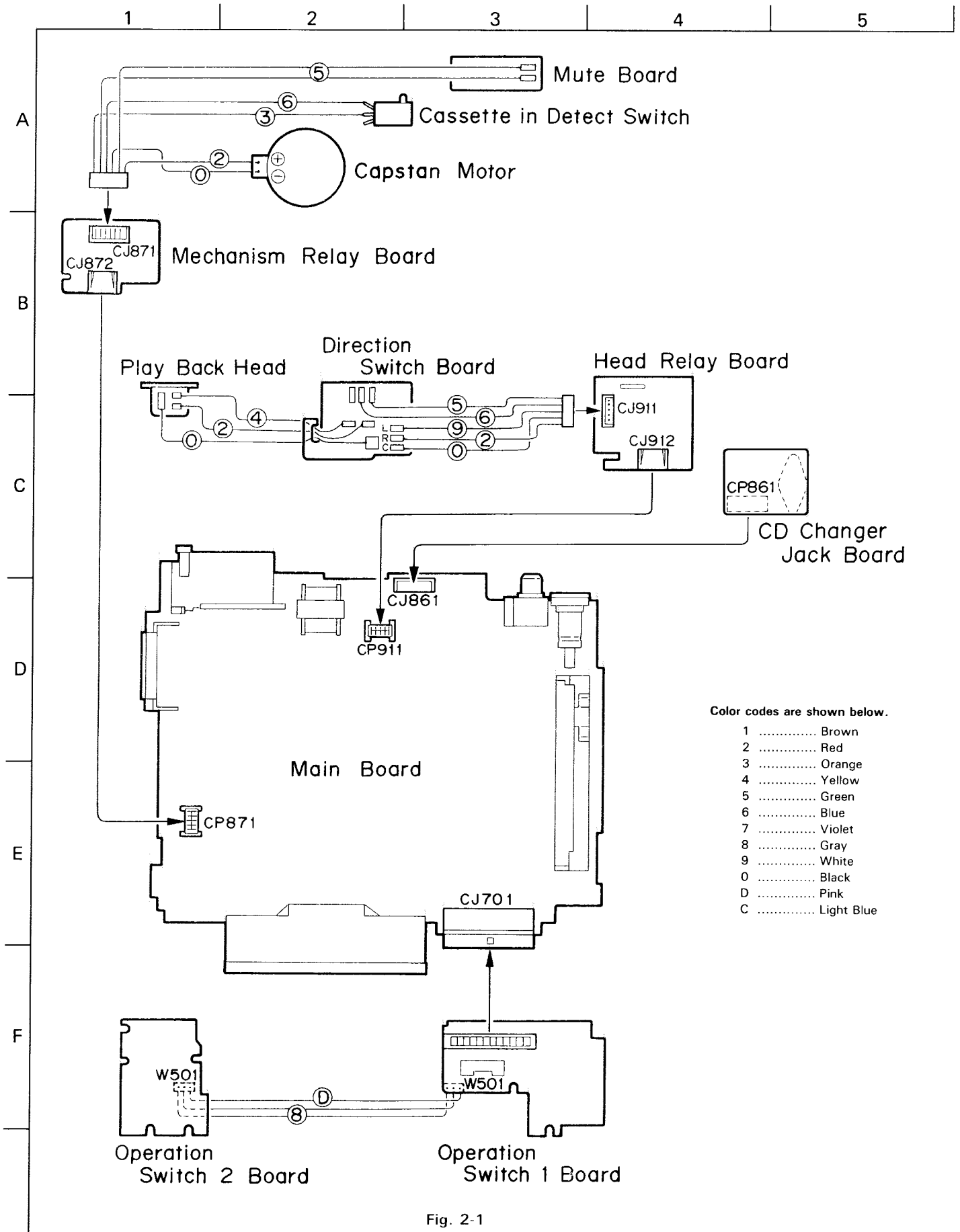


Fig. 2-1

3 Block diagram

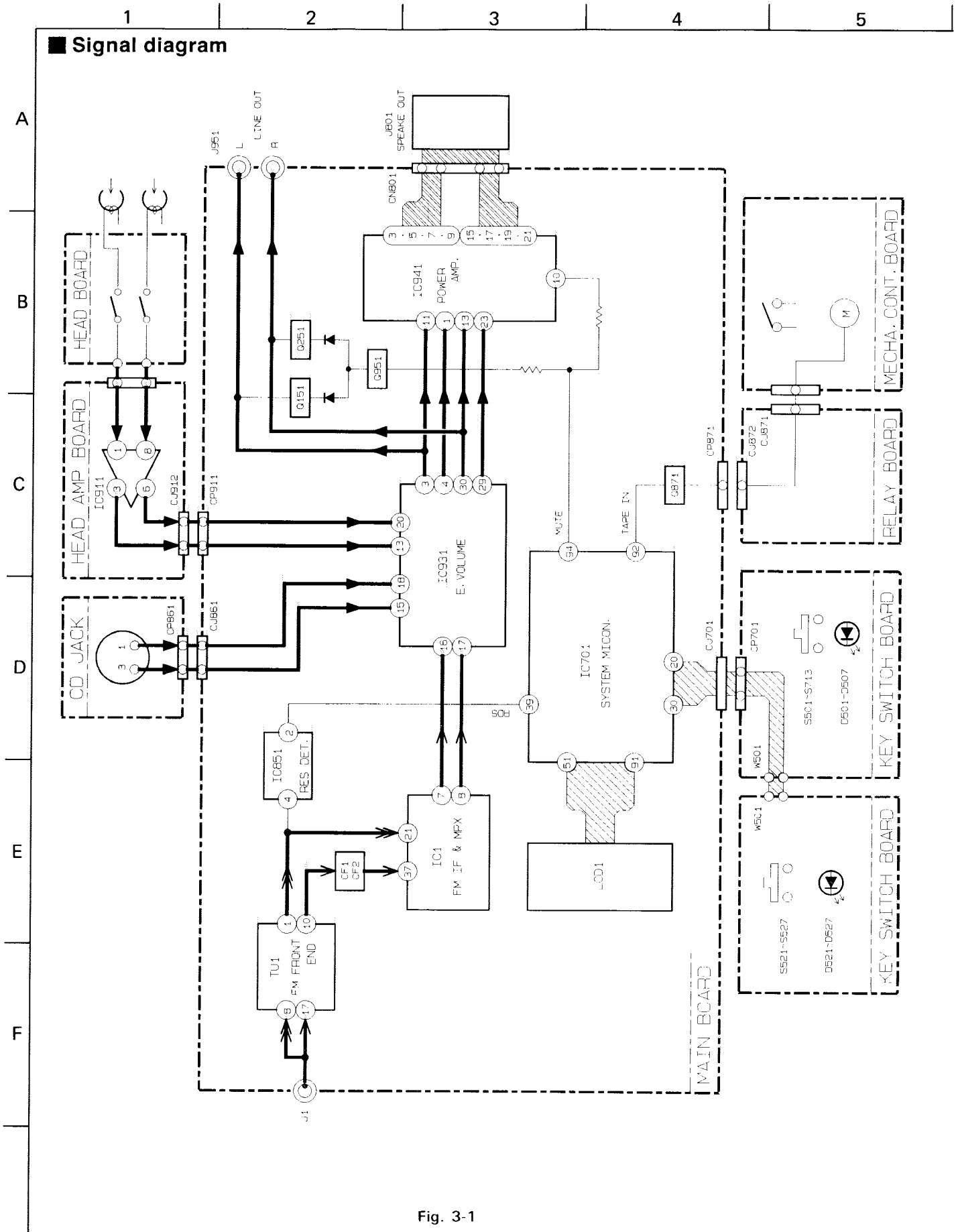
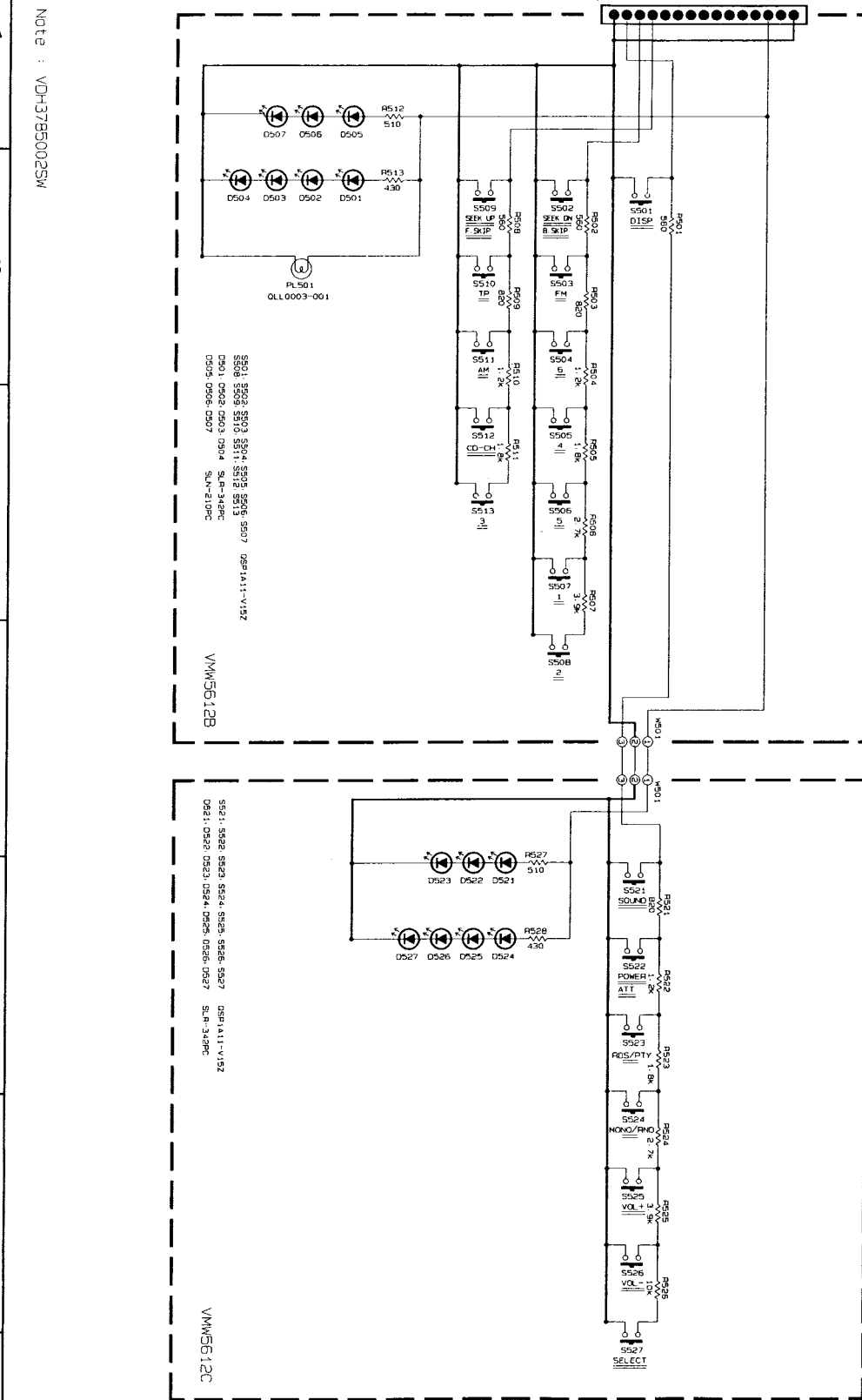


Fig. 3-1

4 Standard schematic diagram

Key switch circuit

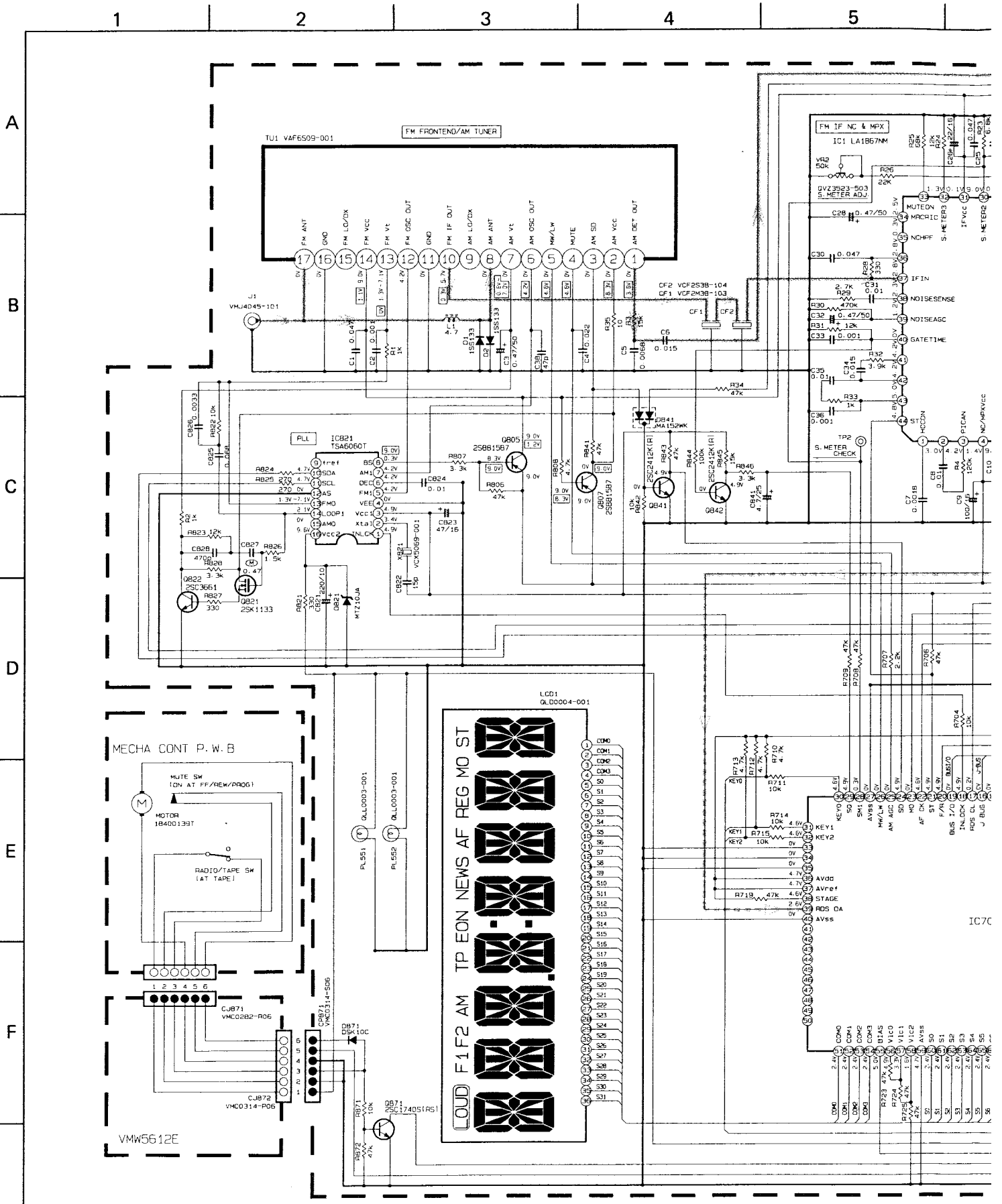
Note : VDH3785002SM



NOTES
 1. VALUES ARE DECIMATED WITH A DIGITAL VOLTMETER WITHOUT LOAD SIGNAL.
 2. POSITION ... IN MODE
 3. VALUES OF RESISTOR SPECIFIED
 4. ALL RESISTORS ARE 1% OR BETTER UNLESS OTHERWISE SPECIFIED
 5. ALL CAPACITORS ARE 5% OR BETTER UNLESS OTHERWISE SPECIFIED
 6. ALL CAPACITORS ARE 5% OR BETTER UNLESS OTHERWISE SPECIFIED
 7. ALL CAPACITORS ARE 5% OR BETTER UNLESS OTHERWISE SPECIFIED
 8. ALL CAPACITORS ARE 5% OR BETTER UNLESS OTHERWISE SPECIFIED
 9. ALL CAPACITORS ARE 5% OR BETTER UNLESS OTHERWISE SPECIFIED
 10. ALL CAPACITORS ARE 5% OR BETTER UNLESS OTHERWISE SPECIFIED
 11. ALL CAPACITORS ARE 5% OR BETTER UNLESS OTHERWISE SPECIFIED
 12. ALL CAPACITORS ARE 5% OR BETTER UNLESS OTHERWISE SPECIFIED
 13. ALL CAPACITORS ARE 5% OR BETTER UNLESS OTHERWISE SPECIFIED
 14. ALL CAPACITORS ARE 5% OR BETTER UNLESS OTHERWISE SPECIFIED
 15. ALL CAPACITORS ARE 5% OR BETTER UNLESS OTHERWISE SPECIFIED

Fig. 4-1

Tuner/system control circuit



Note : VDH3785002CV

Fig. 4-2

6

7

8

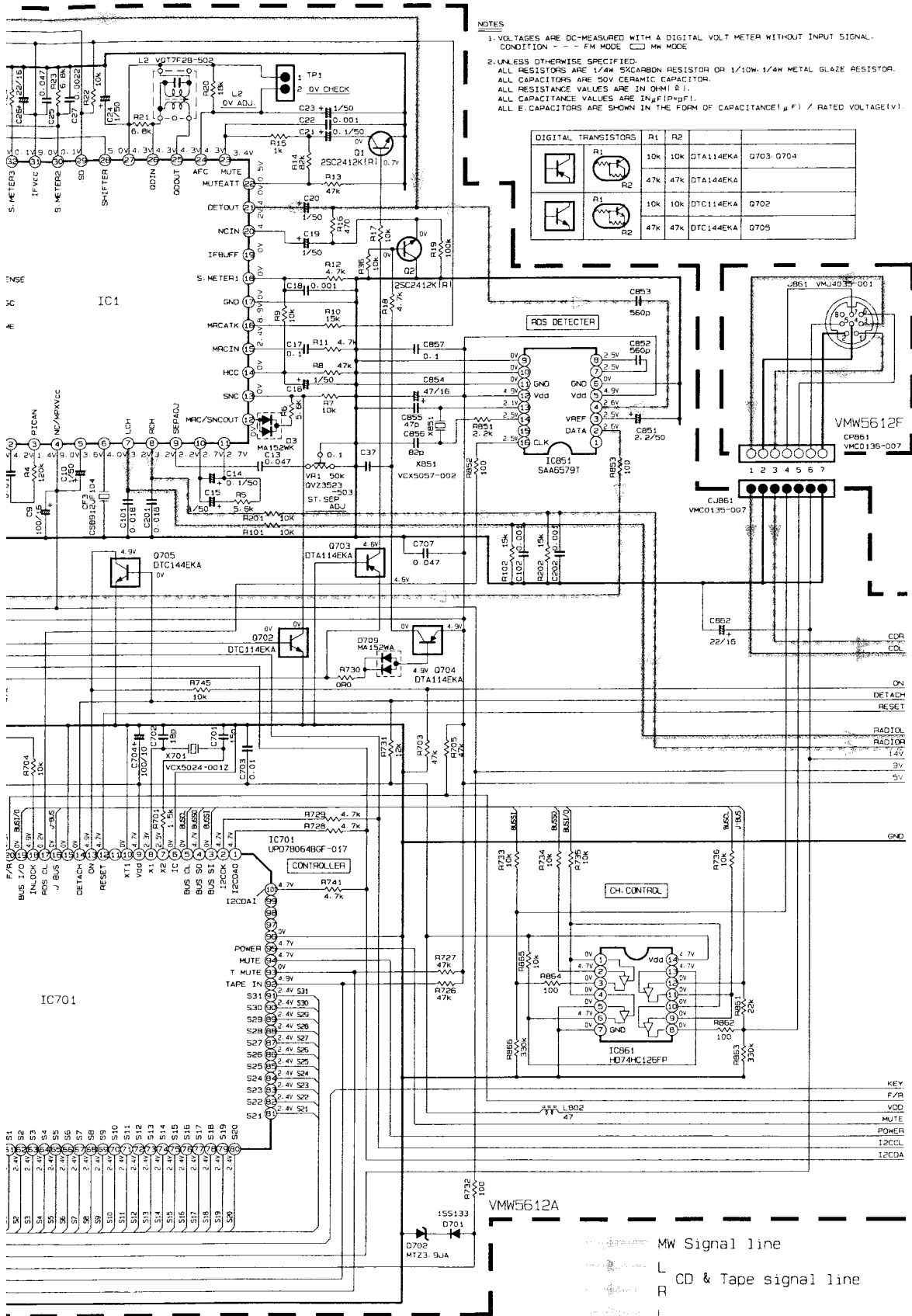
9

10

NOTES

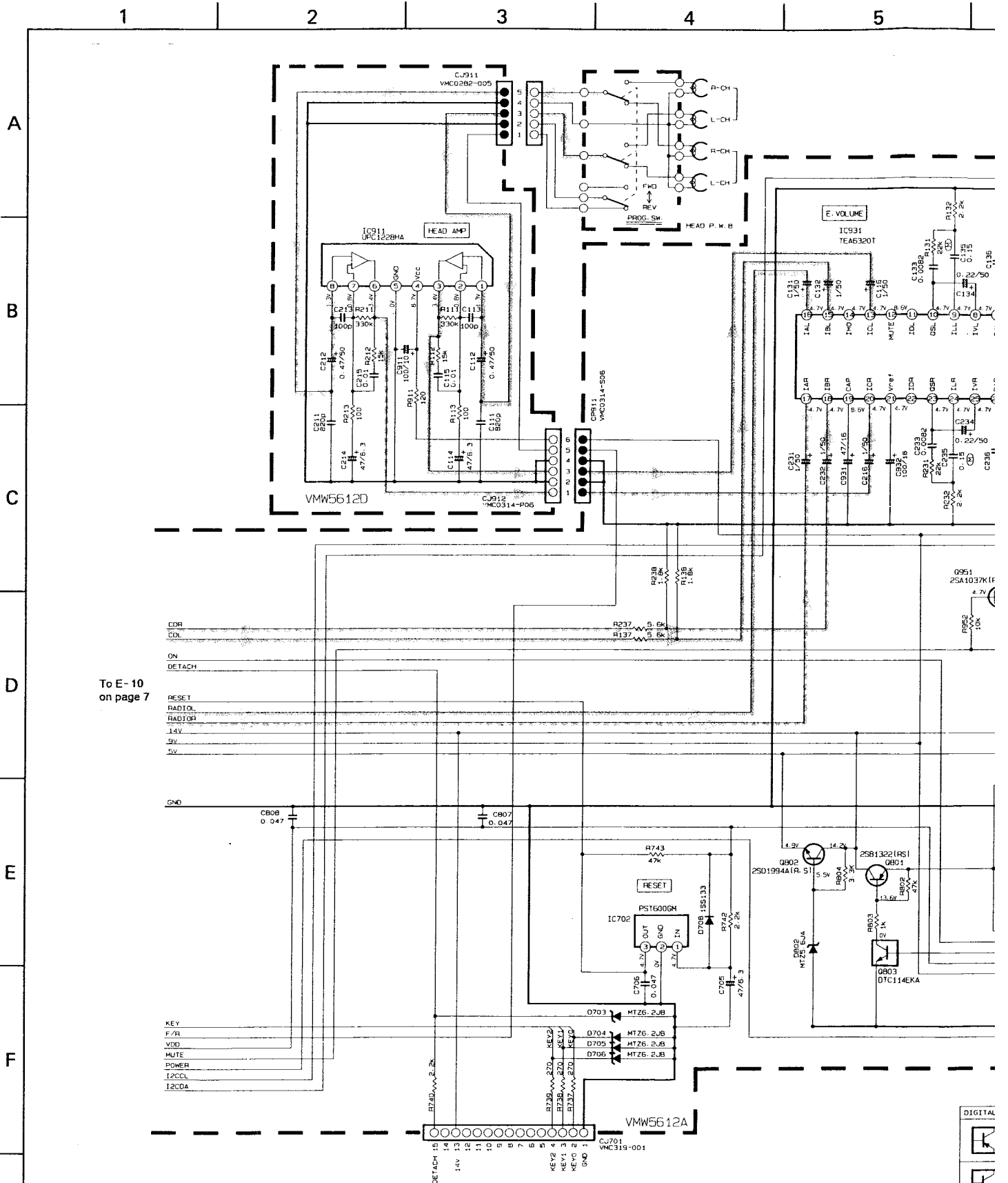
1. VOLTAGES ARE DC-MEASURED WITH A DIGITAL VOLT METER WITHOUT INPUT SIGNAL.
CONDITION - - FM MODE MW MODE
2. UNLESS OTHERWISE SPECIFIED:
ALL RESISTORS ARE 1/4W 5%CARBON RESISTOR OR 1/10W 1/4W METAL GLAZE RESISTOR.
ALL CAPACITORS ARE 50V CERAMIC CAPACITOR.
ALL RESISTANCE VALUES ARE IN OHM(Ω) 1.
ALL CAPACITANCE VALUES ARE IN μF(μ) / RATED VOLTAGE(V).

DIGITAL TRANSISTORS		R1	R2		
		10k	10k	DTA114EKA	Q703-Q704
		47k	47k	DTA144EKA	Q702
		10k	10k	DTC114EKA	Q705
		47k	47k	DTC144EKA	Q705



To E-1 on page 8

Amplifier circuit



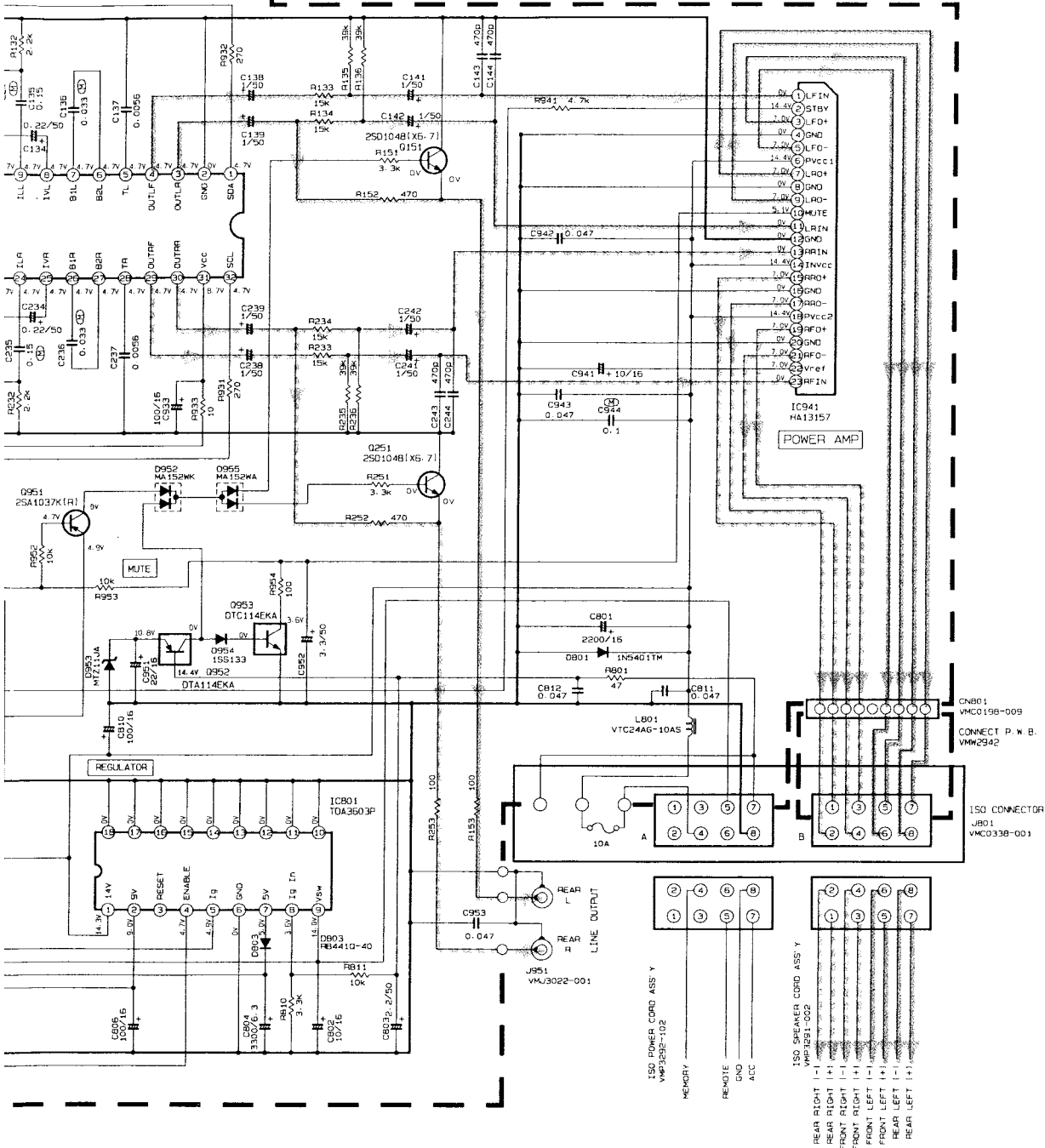
To A-3 on page 6

Fig. 4-3

Note : VDH3785002AV

NOTES

1. VOLTAGES ARE DC-MEASURED WITH A DIGITAL VOLT METER WITHOUT INPUT SIGNAL CONDITION - FM MODE
2. UNLESS OTHERWISE SPECIFIED:
 ALL RESISTORS ARE 1/4W 5% CARBON RESISTOR OR 1/4W 1/10W 5% METAL GLAZE RESISTOR.
 ALL CAPACITORS ARE 50V CERAMIC CAPACITOR.
 ALL RESISTANCE VALUES ARE IN OHM(S).
 ALL CAPACITANCE VALUES ARE IN μF(μF).
 ALL E-CAPACITORS ARE SHOWN IN THE FORM OF CAPACITANCE(μF) / RATED VOLTAGE(V).
 (M) MYLAR CAPACITOR



DIGITAL TRANSISTORS		R1	R2		
	R1	10k	10k	DTA114EKA	Q952
	R2	47k	47k	DTA114EKA	
	R1	10k	10k	OTC114EKA	Q803, Q953
	R2	47k	47k	DTC114EKA	

- L CD & Tape signal line
- R CD & Tape signal line
- L FM Radio signal line
- R FM Radio signal line

5 Location of p. c. board parts and parts list

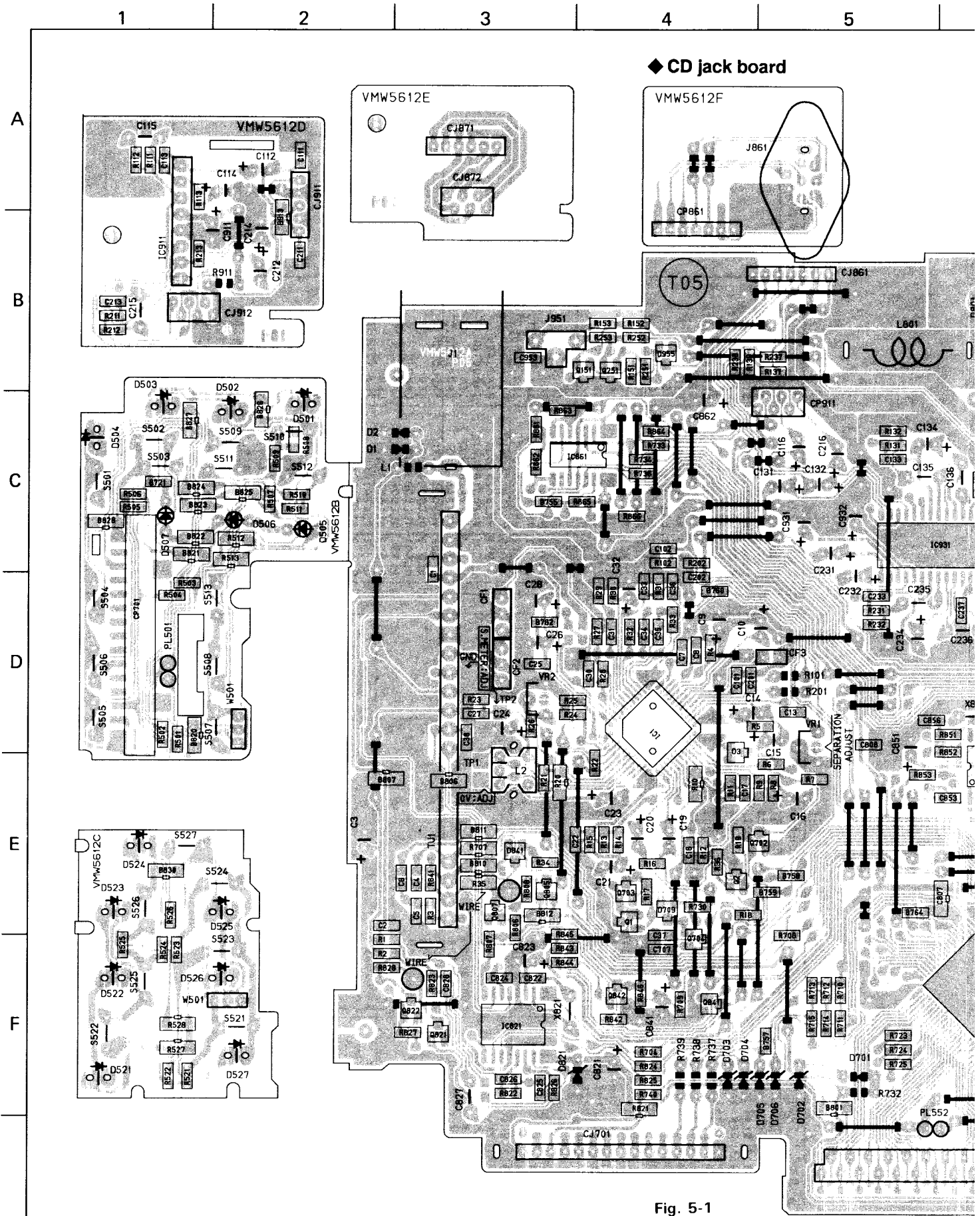


Fig. 5-1

6

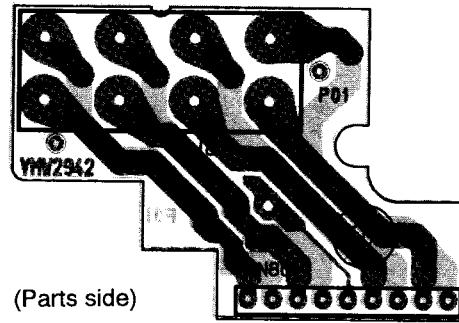
7

8

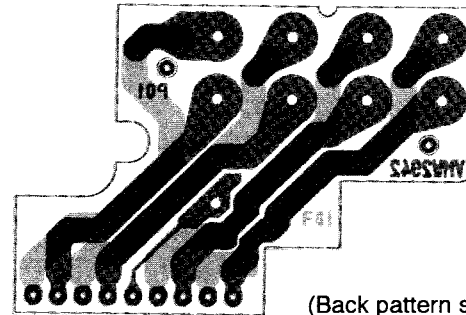
9

10

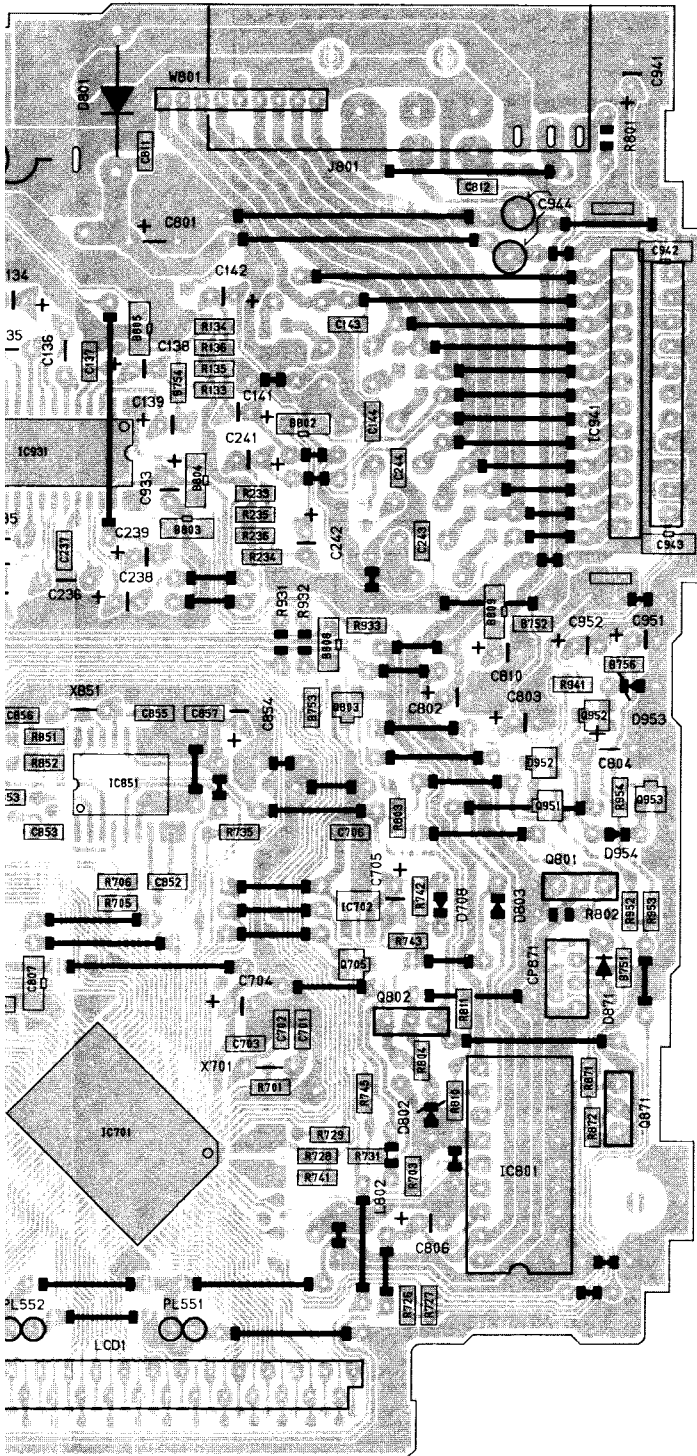
■ Connector Board: Block No. **02**



(Parts side)

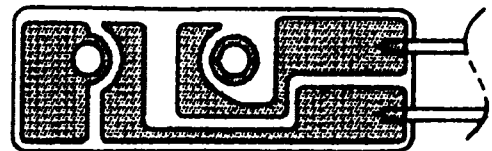


(Back pattern side)

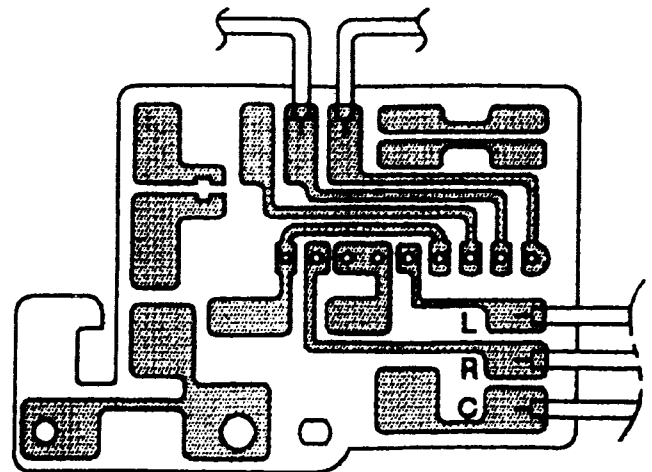


■ Cassette Mechanism Board

● Mute board



● Direction switch board



To replay head

● P. C. board parts list

BLOCK NO. 01		BLOCK NO. 01		BLOCK NO. 01		BLOCK NO. 01	
A	REF.	PARTS NO.	PARTS NAME	REMARKS	SUFFIX		
	C 143	NCB21HK-471AY	C CAPACITOR	470PF 10% 50V			
	C 144	NCB21HK-471AY	C CAPACITOR	470PF 10% 50V			
	C 201	NCB21HK-183AY	C CAPACITOR	.010MF 10% 50V			
	C 202	NCB21HK-102AY	C CAPACITOR	1000PF 10% 50V			
	C 211	NCS21HJ-821AY	C CAPACITOR	820PF 5% 50V			
	C 212	QER11HM-474ZM	E-CAPACITOR	.47MF 20% 50V			
	C 213	NCS21HJ-101AY	C CAPACITOR	100PF 5% 50V			
	C 214	QERF0JM-476ZN	E-CAPACITOR	47MF 20% 6.3V			
	C 215	QFV71HJ-103	FILM CAPACITOR	.010MF 5% 50V			
	C 231	QER41HM-105VM	E-CAPACITOR	1.0MF 20% 50V			
	C 232	QER41HM-105VM	E-CAPACITOR	1.0MF 20% 50V			
	C 233	NCB21HK-822AY	C CAPACITOR	8200PF 10% 50V			
	C 234	QER11HM-224ZM	E-CAPACITOR	.22MF 20% 50V			
	C 235	QFV11HJ-154AZM	FILM CAPACITOR	.15MF 5% 50V			
	C 236	QFV41HJ-333	FILM CAPACITOR	.033MF 5% 50V			
	C 237	NCB21HK-562AY	C CAPACITOR	5600PF 10% 50V			
	C 238	QER41HM-105VM	E-CAPACITOR	1.0MF 20% 50V			
	C 239	QER41HM-105VM	E-CAPACITOR	1.0MF 20% 50V			
	C 241	QER41HM-105VM	E-CAPACITOR	1.0MF 20% 50V			
	C 242	QER41HM-105VM	E-CAPACITOR	1.0MF 20% 50V			
	C 243	NCB21HK-471AY	C CAPACITOR	470PF 10% 50V			
	C 244	NCB21HK-471AY	C CAPACITOR	470PF 10% 50V			
	C 701	NCT21CH-150AY	C CAPACITOR	15PF +50:-10% 1			
	C 702	NCT21CH-180AY	C CAPACITOR	18PF +50:-10% 1			
	C 703	NCB21HK-103AY	C CAPACITOR	.010MF 10% 50V			
	C 704	QER41HM-107	E-CAPACITOR	100MF 20% 10V			
	C 705	QERF0JM-476ZN	E-CAPACITOR	47MF 20% 6.3V			
	C 706	NCB21HK-473AY	C CAPACITOR	.047MF 10% 25V			
	C 707	NCB21HK-473AY	C CAPACITOR	.047MF 10% 25V			
	C 708	QCB1HK-101Y	C CAPACITOR	100PF 10% 50V			
	C 801	QETB1CM-228	E-CAPACITOR	2200MF 20% 16V			
	C 802	QER41CM-106	E-CAPACITOR	10MF 20% 16V			
	C 803	QER41HM-225	E-CAPACITOR	2.2MF 20% 50V			
	C 804	QETM0JM-338	E-CAPACITOR	3300MF 20% 6.3V			
	C 806	QER1CM-107ZM	E-CAPACITOR	100MF 20% 16V			
	C 807	QCY81EK-473Y	C CAPACITOR	.047MF 10% 25V			
	C 808	NCB21HK-473AY	C CAPACITOR	.047MF 10% 25V			
	C 810	QER1CM-107ZM	E-CAPACITOR	100MF 20% 16V			
	C 811	NCB21HK-473AY	C CAPACITOR	.047MF 10% 25V			
	C 812	NCB21HK-473AY	C CAPACITOR	.047MF 10% 25V			
	C 821	QER1AM-227Z	E-CAPACITOR	2200MF 20% 10V			
	C 822	NCT21CH-150AY	C CAPACITOR	15PF +50:-10% 1			
	C 823	QER41CM-476M	E-CAPACITOR	47MF 20% 16V			
	C 824	NCB21HK-103AY	C CAPACITOR	.010MF 10% 50V			
	C 825	NCB21EK-683AY	C CAPACITOR	.068MF 10% 25V			
	C 826	NCB21HK-332AY	C CAPACITOR	3300PF 10% 50V			
	C 827	QFV41HJ-474	TF CAPACITOR	.47MF 5% 50V			
	C 828	NCS21HJ-471AY	C CAPACITOR	470PF 5% 50V			
	C 841	QER41EM-475VM	E-CAPACITOR	4.7MF 20% 25V			
	C 851	QER41HM-225	E-CAPACITOR	2.2MF 20% 50V			
	C 852	NCS21HJ-561AY	C CAPACITOR	560PF 5% 50V			
	C 853	NCS21HJ-561AY	C CAPACITOR	560PF 5% 50V			
	C 854	QER41CM-476M	E-CAPACITOR	47MF 20% 16V			
	C 855	NCT21CH-470AY	C CAPACITOR	47PF +50:-10% 1			

BLOCK NO. 01		BLOCK NO. 01		BLOCK NO. 01		BLOCK NO. 01	
A	REF.	PARTS NO.	PARTS NAME	REMARKS	SUFFIX		
	B 913	NRS181J-GR0NY	MG RESISTOR	5% 178W			
	C 1	NCB21HK-473AY	C CAPACITOR	.047MF 10% 25V			
	C 2	NCB21HK-102AY	C CAPACITOR	1000PF 10% 50V			
	C 3	QERF1HM-474ZM	E-CAPACITOR	.47MF 20% 50V			
	C 4	NCB21HK-223AY	C CAPACITOR	.022MF 10% 50V			
	C 5	NCB21HK-682AY	C CAPACITOR	6800PF 10% 50V			
	C 6	NCB21HK-153AY	C CAPACITOR	.015MF 10% 50V			
	C 7	NCB21HK-182AY	C CAPACITOR	1800PF 10% 50V			
	C 8	NCB21HK-103AY	C CAPACITOR	.010MF 10% 50V			
	C 9	QERF1CM-107ZM	E-CAPACITOR	100MF 20% 16V			
	C 10	QER41HM-105VM	E-CAPACITOR	1.0MF 20% 50V			
	C 13	NCB21HK-473AY	C CAPACITOR	.047MF 10% 25V			
	C 14	QERF1HM-104ZM	E-CAPACITOR	1.0MF 20% 50V			
	C 15	QER41HM-105VM	E-CAPACITOR	1.0MF 20% 50V			
	C 16	QER41HM-105VM	E-CAPACITOR	1.0MF 20% 50V			
	C 17	NCB21HK-104	C CAPACITOR	1.0MF 10% 25V			
	C 18	NCB21HK-102AY	C CAPACITOR	1000PF 10% 50V			
	C 19	QER41HM-105VM	E-CAPACITOR	1.0MF 20% 50V			
	C 20	QER41HM-105VM	E-CAPACITOR	1.0MF 20% 50V			
	C 21	QERF1HM-104ZM	E-CAPACITOR	1.0MF 20% 50V			
	C 22	NCB21HK-102AY	C CAPACITOR	1000PF 10% 50V			
	C 23	QER41HM-105VM	E-CAPACITOR	1.0MF 20% 50V			
	C 24	QER41HM-105VM	E-CAPACITOR	1.0MF 20% 50V			
	C 25	NCB21HK-473AY	C CAPACITOR	.047MF 10% 25V			
	C 26	QERF1CM-226VM	E-CAPACITOR	22MF 20% 16V			
	C 27	NCB21HK-222AY	C CAPACITOR	2200PF 10% 50V			
	C 28	QERF1HM-474ZM	E-CAPACITOR	.47MF 20% 50V			
	C 30	NCB21HK-473AY	C CAPACITOR	.047MF 10% 25V			
	C 31	NCB21HK-103AY	C CAPACITOR	.010MF 10% 50V			
	C 32	QERF1HM-474ZM	E-CAPACITOR	.47MF 20% 50V			
	C 33	NCB21HK-102AY	C CAPACITOR	1000PF 10% 50V			
	C 34	NCB21HK-153AY	C CAPACITOR	.015MF 10% 50V			
	C 35	NCB21HK-103AY	C CAPACITOR	.010MF 10% 50V			
	C 36	NCB21HK-102AY	C CAPACITOR	1000PF 10% 50V			
	C 37	NCB21HK-104	C CAPACITOR	1.0MF 10% 25V			
	C 38	NCT21CH-470AY	C CAPACITOR	47PF +50:-10% 1			
	C 101	NCB21HK-183AY	C CAPACITOR	.018MF 10% 50V			
	C 102	NCB21HK-102AY	C CAPACITOR	1000PF 10% 50V			
	C 111	NCS21HJ-821AY	C CAPACITOR	820PF 5% 50V			
	C 112	QERF1HM-474ZM	E-CAPACITOR	.47MF 20% 50V			
	C 113	NCS21HJ-101AY	C CAPACITOR	100PF 5% 50V			
	C 114	QERF0JM-476ZN	E-CAPACITOR	47MF 20% 6.3V			
	C 115	QFV71HJ-103	FILM CAPACITOR	.010MF 5% 50V			
	C 116	QER41HM-105VM	E-CAPACITOR	1.0MF 20% 50V			
	C 131	QER41HM-105VM	E-CAPACITOR	1.0MF 20% 50V			
	C 132	QER41HM-105VM	E-CAPACITOR	1.0MF 20% 50V			
	C 133	NCB21HK-822AY	C CAPACITOR	8200PF 10% 50V			
	C 134	QERF1HM-224ZM	E-CAPACITOR	.22MF 20% 50V			
	C 135	QFV11HJ-154AZM	FILM CAPACITOR	.15MF 5% 50V			
	C 136	QFV41HJ-333	FILM CAPACITOR	.033MF 5% 50V			
	C 137	NCB21HK-562AY	C CAPACITOR	5600PF 10% 50V			
	C 138	QER41HM-105VM	E-CAPACITOR	1.0MF 20% 50V			
	C 139	QER41HM-105VM	E-CAPACITOR	1.0MF 20% 50V			
	C 141	QER41HM-105VM	E-CAPACITOR	1.0MF 20% 50V			
	C 142	QER41HM-105VM	E-CAPACITOR	1.0MF 20% 50V			

BLOCK NO. 01

REF.	PARTS NO.	PARTS NAME	REMARKS	SUFFIX
D 803	RB441Q-40T-77	S.B. DIODE		
D 821	MTZ10JAT-77	ZENER DIODE		
D 841	MA152WK-TX	SI DIODE		
D 871	DSK10C-E	DIODE		
D 952	MA152WK-TX	SI DIODE		
D 953	MTZ11JA	ZENER DIODE		
D 954	1SS133	SI DIODE		
D 955	MA152WA-TX	DIODE		
IC 1	LA1867NM	IC		
IC 701	UPD78064BGF-025	IC		
IC 702	PST1600GM-T	IC		
IC 801	TDA3603P-S	IC		
IC 821	TA6060T-T	IC		
IC 851	SAA6579T	IC		
IC 861	HD74HC126FP-EL	IC		
IC 911	UPC1228HA	IC		
IC 931	TEA6320T	IC		
IC 941	HA13157	IC		
J 1	VMJ4045-101	ANT. SOCKET		
J 801	VMC0338-001	MINI DIN JACK		
J 861	VMJ4035-001	PIN JACK		
J 951	VMJ3022-001	INDUCTOR		
L 1	VQP0018-4R7	IFT		
L 2	VQT7F28-502	CHOKE COIL		
L 801	VIC24AG-10A	INDUCTOR		
L 802	VQP0018-470	LCD		
LCD 1	QLD0004-001	LAMP		
PL501	QLL0003-001	LAMP		
PL551	QLL0003-001	LAMP		
PL552	QLL0003-001	LAMP		
Q 1	2SC2412KK1	TRANSISTOR		
Q 2	2SC2412KK1	TRANSISTOR		
Q 151	2SD1048X7T-HL	TRANSISTOR		
Q 251	2SD1048X7T-HL	TRANSISTOR		
Q 702	DTA114EKA-X	TRANSISTOR		
Q 703	DTA114EKA-X	TRANSISTOR		
Q 704	DTA114EKA-X	TRANSISTOR		
Q 705	DTA114EKA-X	TRANSISTOR		
Q 801	2SB1322(RS)	TRANSISTOR		
Q 802	2SD1994A(R,S)TA	TRANSISTOR		
Q 803	DTA114EKA-X	TRANSISTOR		
Q 805	2SB815B7-T-HL	TRANSISTOR		
Q 807	2SB815B7-T-HL	MOS FET		
Q 821	2SK1133-X	TRANSISTOR		
Q 822	2SC3661	TRANSISTOR		
Q 841	2SC2412KK1	TRANSISTOR		
Q 842	2SC2412KK1	TRANSISTOR		
Q 871	2SC1740S(R,S)	TRANSISTOR		
Q 951	2SA1037K(R)	TRANSISTOR		
Q 952	DTA114EKA-X	TRANSISTOR		
Q 953	DTA114EKA-X	TRANSISTOR		
R 1	NRSA02J-102NY	MG RESISTOR	1.0K 5% 1/10W	
R 2	NRSA02J-102NY	MG RESISTOR	1.0K 5% 1/10W	
R 3	NRSA02J-153NY	MG RESISTOR	15K 5% 1/10W	
R 4	NRSA02J-124NY	MG RESISTOR	120K 5% 1/10W	

BLOCK NO. 01

REF.	PARTS NO.	PARTS NAME	REMARKS	SUFFIX
C 856	NCT21CH-820AY	C CAPACITOR	82PF +50% -10% 1	
C 857	NCB21HK-104	C CAPACITOR	.10MF 10% 25V	
C 862	GER41CM-226VM	E.CAPACITOR	22MF 20% 16V	
C 911	GER41AM-107	E.CAPACITOR	100MF 20% 10V	
C 931	GER41CM-476M	E.CAPACITOR	47MF 20% 16V	
C 932	GERF1CM-107ZM	E.CAPACITOR	100MF 20% 16V	
C 933	GERF1CM-107ZM	E.CAPACITOR	100MF 20% 16V	
C 941	GER41CM-106	E.CAPACITOR	10MF 20% 16V	
C 942	OCY81EK-473Y	C.CAPACITOR	.047MF 10% 25V	
C 943	OCY81EK-473Y	C.CAPACITOR	.047MF 10% 25V	
C 944	GFV41HJ-104ZM	FILM CAPACITOR	.10MF 5% 50V	
C 951	GER41CM-226VM	E.CAPACITOR	22MF 20% 16V	
C 952	GERF1HM-335Z	E.CAPACITOR	3.3MF 20% 50V	
C 953	NCB21HK-473AY	C CAPACITOR	.047MF 10% 25V	
CF 1	VCF2M3B-103	CERAMIC FILTER		
CF 2	VCF233B-104Z	C FILTER		
CF 3	CSB912JF104	CERA ROCK		
CJ701	VMC0319-001	CONNECTOR		
CJ861	VMC0135-007	CONNECTOR		
CJ871	VMC0282-006	CONNECTOR		
CJ872	VMC0314-P06	CONNECTOR		
CJ911	VMC0282-005	CONNECTOR		
CJ912	VMC0314-P06	CONNECTOR		
CN801	VMC0198-009	CONNECTOR		
CP701	VMC0320-001	CONNECTOR		
CP861	VMC0136-007	CONNECTOR		
CP871	VMC0314-S06	CONNECTOR		
CP911	VMC0314-S06	CONNECTOR		
D 1	1SS133	SI DIODE		
D 2	1SS133	SI DIODE		
D 3	MA152WK-TX	SI DIODE		
D 501	SLR-342PCT32	LED		
D 502	SLR-342PCT32	LED		
D 503	SLR-342PCT32	LED		
D 504	SLR-342PCT32	LED		
D 505	SLN-210PCT12	LED		
D 506	SLN-210PCT12	LED		
D 507	SLN-210PCT12	LED		
D 521	SLR-342PCT32	LED		
D 522	SLR-342PCT32	LED		
D 523	SLR-342PCT32	LED		
D 524	SLR-342PCT32	LED		
D 525	SLR-342PCT32	LED		
D 526	SLR-342PCT32	LED		
D 527	SLR-342PCT32	LED		
D 701	1SS133	SI DIODE		
D 702	MTZ3.9JAT-77	ZENER DIODE		
D 703	MTZ6.2JB	ZENER DIODE		
D 704	MTZ6.2JB	ZENER DIODE		
D 705	MTZ6.2JB	ZENER DIODE		
D 706	MTZ6.2JB	ZENER DIODE		
D 708	1SS133	SI DIODE		
D 709	MA152WA-TX	DIODE		
D 801	1N5401TM	SI DIODE		
D 802	MTZ5.6JA	ZENER DIODE		

BLOCK NO. 0111111111

REF.	PARTS NO.	PARTS NAME	REMARKS	SUFFIX
R 234	NRSA02J-453NY	MG RESISTOR	15K 5% 1/10W	
R 235	NRSA02J-393NY	MG RESISTOR	39K 5% 1/10W	
R 236	NRSA02J-393NY	MG RESISTOR	39K 5% 1/10W	
R 237	NRSA02J-562NY	MG RESISTOR	5.6K 5% 1/10W	
R 238	NRSA02J-182NY	MG RESISTOR	1.8K 5% 1/10W	
R 251	NRSA02J-332NY	MG RESISTOR	3.3K 5% 1/10W	
R 252	NRSA02J-471NY	MG RESISTOR	4.7K 5% 1/10W	
R 253	NRSA02J-101NY	MG RESISTOR	100 5% 1/10W	
R 501	NRSA02J-561NY	MG RESISTOR	560 5% 1/10W	
R 502	NRSA02J-561NY	MG RESISTOR	560 5% 1/10W	
R 503	NRSA02J-821NY	MG RESISTOR	820 5% 1/10W	
R 504	NRSA02J-122NY	MG RESISTOR	1.2K 5% 1/10W	
R 505	NRSA02J-182NY	MG RESISTOR	1.8K 5% 1/10W	
R 506	NRSA02J-272NY	MG RESISTOR	2.7K 5% 1/10W	
R 507	NRSA02J-392NY	MG RESISTOR	3.9K 5% 1/10W	
R 508	NRSA02J-561NY	MG RESISTOR	560 5% 1/10W	
R 509	NRSA02J-821NY	MG RESISTOR	820 5% 1/10W	
R 510	NRSA02J-122NY	MG RESISTOR	1.2K 5% 1/10W	
R 511	NRSA02J-182NY	MG RESISTOR	1.8K 5% 1/10W	
R 512	NRS181J-511NY	MG RESISTOR	510 5% 1/8W	
R 513	NRS181J-431NY	MG RESISTOR	430 5% 1/8W	
R 521	NRSA02J-821NY	MG RESISTOR	820 5% 1/10W	
R 522	NRSA02J-122NY	MG RESISTOR	1.2K 5% 1/10W	
R 523	NRSA02J-182NY	MG RESISTOR	1.8K 5% 1/10W	
R 524	NRSA02J-272NY	MG RESISTOR	2.7K 5% 1/10W	
R 525	NRSA02J-392NY	MG RESISTOR	3.9K 5% 1/10W	
R 526	NRSA02J-103NY	MG RESISTOR	10K 5% 1/10W	
R 527	NRS181J-511NY	MG RESISTOR	510 5% 1/8W	
R 528	NRS181J-431NY	MG RESISTOR	430 5% 1/8W	
R 701	NRSA02J-452NY	MG RESISTOR	1.5K 5% 1/10W	
R 703	NRSA02J-473NY	MG RESISTOR	47K 5% 1/10W	
R 704	NRSA02J-103NY	MG RESISTOR	10K 5% 1/10W	
R 705	NRSA02J-473NY	MG RESISTOR	47K 5% 1/10W	
R 706	NRSA02J-473NY	MG RESISTOR	47K 5% 1/10W	
R 707	NRS181J-222NY	MG RESISTOR	2.2K 5% 1/8W	
R 708	NRSA02J-473NY	MG RESISTOR	47K 5% 1/10W	
R 709	NRSA02J-473NY	MG RESISTOR	47K 5% 1/10W	
R 710	NRSA02J-472NY	MG RESISTOR	4.7K 5% 1/10W	
R 711	NRSA02J-103NY	MG RESISTOR	10K 5% 1/10W	
R 712	NRSA02J-472NY	MG RESISTOR	4.7K 5% 1/10W	
R 713	NRSA02J-472NY	MG RESISTOR	4.7K 5% 1/10W	
R 714	NRSA02J-103NY	MG RESISTOR	10K 5% 1/10W	
R 715	NRSA02J-103NY	MG RESISTOR	10K 5% 1/10W	
R 719	NRSA02J-473NY	MG RESISTOR	47K 5% 1/10W	
R 723	NRSA02J-473NY	MG RESISTOR	47K 5% 1/10W	
R 724	NRSA02J-473NY	MG RESISTOR	47K 5% 1/10W	
R 725	NRSA02J-473NY	MG RESISTOR	47K 5% 1/10W	
R 726	NRSA02J-473NY	MG RESISTOR	47K 5% 1/10W	
R 727	NRSA02J-473NY	MG RESISTOR	47K 5% 1/10W	
R 728	NRSA02J-472NY	MG RESISTOR	4.7K 5% 1/10W	
R 729	NRSA02J-472NY	MG RESISTOR	4.7K 5% 1/10W	
R 730	NRSA02J-0F0NY	MG RESISTOR	5% 1/10W	
R 731	NRSA02J-123NY	MG RESISTOR	12K 5% 1/10W	
R 732	QRD161J-101	CARBON RESISTOR	100 5% 1/6W	
R 733	NRSA02J-103NY	MG RESISTOR	10K 5% 1/10W	

BLOCK NO. 0111111111

REF.	PARTS NO.	PARTS NAME	REMARKS	SUFFIX
R 5	NRSA02J-562NY	MG RESISTOR	5.6K 5% 1/10W	
R 6	NRSA02J-562NY	MG RESISTOR	5.6K 5% 1/10W	
R 7	NRSA02J-103NY	MG RESISTOR	10K 5% 1/10W	
R 8	NRSA02J-473NY	MG RESISTOR	47K 5% 1/10W	
R 9	NRSA02J-103NY	MG RESISTOR	10K 5% 1/10W	
R 10	NRS181J-153NY	MG RESISTOR	15K 5% 1/8W	
R 11	NRSA02J-472NY	MG RESISTOR	4.7K 5% 1/10W	
R 12	NRSA02J-472NY	MG RESISTOR	4.7K 5% 1/10W	
R 13	NRSA02J-473NY	MG RESISTOR	47K 5% 1/10W	
R 14	NRSA02J-821NY	MG RESISTOR	82K 5% 1/10W	
R 15	NRSA02J-102NY	MG RESISTOR	1.0K 5% 1/10W	
R 16	NRSA02J-471NY	MG RESISTOR	470 5% 1/10W	
R 17	NRSA02J-103NY	MG RESISTOR	10K 5% 1/10W	
R 18	NRSA02J-472NY	MG RESISTOR	4.7K 5% 1/10W	
R 19	NRSA02J-104NY	MG RESISTOR	100K 5% 1/10W	
R 20	NRS181J-183NY	MG RESISTOR	18K 5% 1/8W	
R 21	NRSA02J-682NY	MG RESISTOR	6.8K 5% 1/10W	
R 22	NRSA02J-103NY	MG RESISTOR	10K 5% 1/10W	
R 23	NRSA02J-682NY	MG RESISTOR	6.8K 5% 1/10W	
R 24	NRSA02J-123NY	MG RESISTOR	12K 5% 1/10W	
R 25	NRSA02J-683NY	MG RESISTOR	68K 5% 1/10W	
R 26	NRSA02J-223NY	MG RESISTOR	22K 5% 1/10W	
R 28	NRSA02J-331NY	MG RESISTOR	330 5% 1/10W	
R 29	NRSA02J-272NY	MG RESISTOR	2.7K 5% 1/10W	
R 30	NRSA02J-474NY	MG RESISTOR	470K 5% 1/10W	
R 31	NRSA02J-123NY	MG RESISTOR	12K 5% 1/10W	
R 32	NRSA02J-392NY	MG RESISTOR	3.9K 5% 1/10W	
R 33	NRSA02J-102NY	MG RESISTOR	1.0K 5% 1/10W	
R 34	NRSA02J-473NY	MG RESISTOR	47K 5% 1/10W	
R 35	NRS181J-100NY	MG RESISTOR	10 5% 1/8W	
R 36	NRSA02J-103NY	MG RESISTOR	10K 5% 1/10W	
R 101	QRD161J-103	CARBON RESISTOR	10K 5% 1/6W	
R 102	NRSA02J-153NY	MG RESISTOR	15K 5% 1/10W	
R 111	NRSA02J-334NY	MG RESISTOR	330K 5% 1/10W	
R 112	NRSA02J-153NY	MG RESISTOR	15K 5% 1/10W	
R 113	NRSA02J-101NY	MG RESISTOR	100 5% 1/10W	
R 131	NRSA02J-223NY	MG RESISTOR	22K 5% 1/10W	
R 132	NRSA02J-222NY	MG RESISTOR	2.2K 5% 1/10W	
R 133	NRSA02J-153NY	MG RESISTOR	15K 5% 1/10W	
R 134	NRSA02J-153NY	MG RESISTOR	15K 5% 1/10W	
R 135	NRSA02J-393NY	MG RESISTOR	39K 5% 1/10W	
R 136	NRSA02J-393NY	MG RESISTOR	39K 5% 1/10W	
R 137	NRSA02J-562NY	MG RESISTOR	5.6K 5% 1/10W	
R 138	NRSA02J-182NY	MG RESISTOR	1.8K 5% 1/10W	
R 151	NRSA02J-332NY	MG RESISTOR	3.3K 5% 1/10W	
R 152	NRSA02J-471NY	MG RESISTOR	470 5% 1/10W	
R 153	NRSA02J-101NY	MG RESISTOR	100 5% 1/10W	
R 201	QRD161J-103	CARBON RESISTOR	10K 5% 1/6W	
R 202	NRSA02J-153NY	MG RESISTOR	15K 5% 1/10W	
R 211	NRSA02J-334NY	MG RESISTOR	330K 5% 1/10W	
R 212	NRSA02J-153NY	MG RESISTOR	15K 5% 1/10W	
R 213	NRSA02J-101NY	MG RESISTOR	100 5% 1/10W	
R 231	NRSA02J-223NY	MG RESISTOR	22K 5% 1/10W	
R 232	NRSA02J-222NY	MG RESISTOR	2.2K 5% 1/10W	
R 233	NRSA02J-153NY	MG RESISTOR	15K 5% 1/10W	

BLOCK NO. 01

REF.	PARTS NO.	PARTS NAME	REMARKS	SUPPLX
S 503	QSP1A11-V15Z	TACT SWITCH	INFO	
S 504	QSP1A11-V15Z	TACT SWITCH	PRESET 6	
S 505	QSP1A11-V15Z	TACT SWITCH	PRESET 4	
S 506	QSP1A11-V15Z	TACT SWITCH	PRESET 5	
S 507	QSP1A11-V15Z	TACT SWITCH	PRESET 1	
S 508	QSP1A11-V15Z	TACT SWITCH	PRESET 2	
S 509	QSP1A11-V15Z	TACT SWITCH	SEEK UP/F.SKIP	
S 510	QSP1A11-V15Z	TACT SWITCH	MONO	
S 511	QSP1A11-V15Z	TACT SWITCH	FM	
S 512	QSP1A11-V15Z	TACT SWITCH	AM	
S 513	QSP1A11-V15Z	TACT SWITCH	PRESET 3	
S 521	QSP1A11-V15Z	TACT SWITCH	SOUND	
S 522	QSP1A11-V15Z	TACT SWITCH	POWER/ATT	
S 523	QSP1A11-V15Z	TACT SWITCH	RDS	
S 524	QSP1A11-V15Z	TACT SWITCH	PTY	
S 525	QSP1A11-V15Z	TACT SWITCH	VOLUME +	
S 526	QSP1A11-V15Z	TACT SWITCH	VOLUME -	
S 527	QSP1A11-V15Z	TACT SWITCH	SELECT	
TU 1	VAF6S09-001	TUNER PACK		
VR 1	QVPA601-503A	V.RESISTOR		
VR 2	QVPA601-503A	V.RESISTOR		
W 501	MA-Y-D-10-MA-03	CONNECTOR WIRE		
X 701	VCX5024-001	CRYSTAL		
X 821	VCX5069-001	CRYSTAL		
X 851	VCX5057-001	CRYSTAL		

BLOCK NO. 01

REF.	PARTS NO.	PARTS NAME	REMARKS	SUPPLX
R 734	NRSA02J-103NY	MG RESISTOR	10K 5% 1/10W	
R 735	NRSA02J-103NY	MG RESISTOR	10K 5% 1/10W	
R 736	NRSA02J-103NY	MG RESISTOR	10K 5% 1/10W	
R 737	QRD161J-271	CARBON RESISTOR	270 5% 1/6W	
R 738	QRD161J-271	CARBON RESISTOR	270 5% 1/6W	
R 739	QRD161J-271	CARBON RESISTOR	270 5% 1/6W	
R 740	NRSA02J-222NY	MG RESISTOR	2.2K 5% 1/10W	
R 741	NRSA02J-472NY	MG RESISTOR	4.7K 5% 1/10W	
R 742	NRSA02J-222NY	MG RESISTOR	2.2K 5% 1/10W	
R 743	NRSA02J-473NY	MG RESISTOR	4.7K 5% 1/10W	
R 745	NRSA02J-103NY	MG RESISTOR	10K 5% 1/10W	
R 801	GRD145J-470S	CARBON RESISTOR	47 5% 1/4W	
R 802	GRD161J-473	CARBON RESISTOR	47K 5% 1/6W	
R 803	NRSA02J-102NY	MG RESISTOR	1.0K 5% 1/10W	
R 804	NRSA02J-332NY	MG RESISTOR	3.3K 5% 1/10W	
R 806	NRSA02J-473NY	MG RESISTOR	47K 5% 1/10W	
R 807	NRSA02J-332NY	MG RESISTOR	3.3K 5% 1/10W	
R 808	NRSA02J-472NY	MG RESISTOR	4.7K 5% 1/10W	
R 810	NRSA02J-332NY	MG RESISTOR	3.3K 5% 1/10W	
R 811	NRSA02J-103NY	MG RESISTOR	10K 5% 1/10W	
R 821	NRS181J-331NY	MG RESISTOR	330 5% 1/8W	
R 822	NRSA02J-103NY	MG RESISTOR	10K 5% 1/10W	
R 823	NRSA02J-123NY	MG RESISTOR	12K 5% 1/10W	
R 824	NRSA02J-271NY	MG RESISTOR	270 5% 1/10W	
R 825	NRSA02J-271NY	MG RESISTOR	270 5% 1/10W	
R 826	NRSA02J-152NY	MG RESISTOR	1.5K 5% 1/10W	
R 827	NRSA02J-331NY	MG RESISTOR	330 5% 1/10W	
R 828	NRSA02J-332NY	MG RESISTOR	3.3K 5% 1/10W	
R 841	NRSA02J-473NY	MG RESISTOR	47K 5% 1/10W	
R 842	NRSA02J-103NY	MG RESISTOR	10K 5% 1/10W	
R 843	NRSA02J-473NY	MG RESISTOR	47K 5% 1/10W	
R 844	NRSA02J-104NY	MG RESISTOR	100K 5% 1/10W	
R 845	NRSA02J-153NY	MG RESISTOR	15K 5% 1/10W	
R 846	NRSA02J-332NY	MG RESISTOR	3.3K 5% 1/10W	
R 851	NRSA02J-222NY	MG RESISTOR	2.2K 5% 1/10W	
R 852	NRSA02J-101NY	MG RESISTOR	100 5% 1/10W	
R 853	NRSA02J-101NY	MG RESISTOR	100 5% 1/10W	
R 861	NRSA02J-223NY	MG RESISTOR	22K 5% 1/10W	
R 862	NRSA02J-101NY	MG RESISTOR	100 5% 1/10W	
R 863	NRSA02J-334NY	MG RESISTOR	330K 5% 1/10W	
R 864	NRSA02J-101NY	MG RESISTOR	100 5% 1/10W	
R 865	NRSA02J-103NY	MG RESISTOR	10K 5% 1/10W	
R 866	NRSA02J-334NY	MG RESISTOR	330K 5% 1/10W	
R 871	NRSA02J-103NY	MG RESISTOR	10K 5% 1/10W	
R 872	NRSA02J-102NY	MG RESISTOR	1.0K 5% 1/10W	
R 911	GRD161J-121	CARBON RESISTOR	120 5% 1/6W	
R 931	QRD161J-271	CARBON RESISTOR	270 5% 1/6W	
R 932	QRD161J-271	CARBON RESISTOR	270 5% 1/6W	
R 933	NRSA02J-100NY	MG RESISTOR	10 5% 1/10W	
R 941	NRSA02J-472NY	MG RESISTOR	4.7K 5% 1/10W	
R 952	NRSA02J-103NY	MG RESISTOR	10K 5% 1/10W	
R 953	NRSA02J-103NY	MG RESISTOR	10K 5% 1/10W	
R 954	NRSA02J-101NY	MG RESISTOR	100 5% 1/10W	
S 501	QSP1A11-V15Z	TACT SWITCH	DISPLAY	
S 502	QSP1A11-V15Z	TACT SWITCH	SEEK_DOWN/B_SKI	

6 Exploded view of enclosure assembly parts and parts list

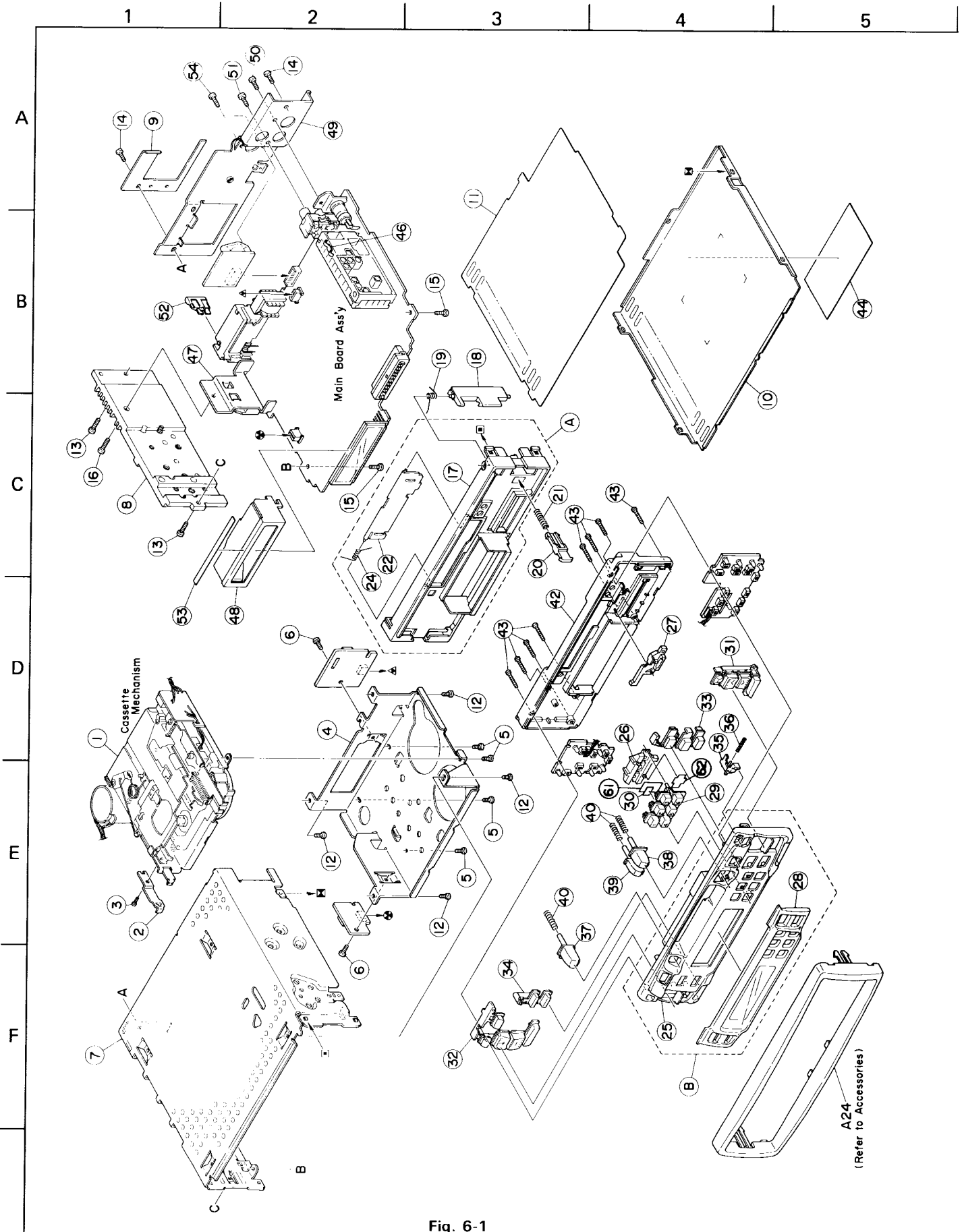


Fig. 6-1

● Enclosure parts list

BLOCK NO. M2M4

REF.	PARTS NO.	PARTS NAME	REMARKS	QTY	SUFFIX	CLR
A	ZCKSRT650R-FB	FRONT SHASSIS A	NO.17,22,24	1		
B	ZCKSRT650R-NPA	NOSE PEICE ASSY	NO.25,28	1		
1	-----	MECHA. ASSY	SINWA MECHA	1		
2	VKL7821-001	EJECT LEVER		1		
3	SPSK2625Z	MINI SCREW	MECHA+MECHA BKT	1		
4	VKL2748-001	MECHA BRACKET		1		
5	SDSP2604Z	SCREW	MECHA BRACKET(F	4		
6	SDST2606Z	SCREW	C.PWB+M.BRACKET	2		
7	FSJC1014-002	CHASSIS		1		
8	FSKL3008-001	SIDE PANEL		1		
9	VKL7825-001	CONNECTOR BKT.		1		
10	FSKM3004-001	BOTTOM COVER		1		
11	FSMA3001-002	INSULATOR		1		
12	SDST2604Z	SCREW	CHASSIS+MECHA B	4		
13	SDST2608Z	SCREW	CHASSIS+SIDE PA	2		
14	SDST2606Z	SCREW	CHASSIS+REAR BK	2		
15	SDST2606Z	SCREW	CHASSIS+MAIN PW	2		
16	SDST2608Z	SCREW	SIDE PANEL+IC B	1		
17	FSJC2005-002	FRONT CHASSIS		1		
18	FSKS3002-001	LOCK LEVER		1		
19	FSKW4005-003	TORSION SPRING	FOR JES PRODUCT	1		
20	FSXP3026-002	RLS KNOB		1		
21	FSKW3002-004	COMP.SPRING		1		
22	FSJC4003-010	CASSETTE LID	CD CHANGER CONT	1		
24	VKW4947-002	DOOR SPRING		1		
25	FSJC1015-009	FRONT PANEL		1		
26	FSJK3009-001	LIGHT LENS		1		
27	FSJK3002-002	LENS		1		
28	VJK2197-020	FINDER	SECOND DIE	1		
29	FSXP2024-001	PRESET BUTTON	1/2/3/4/5/6	1		
30	FSYH4044-003	SHEET	FOR PRESET 2	1		
31	VXP1005-007SS	UP/DOWN BUTTON		1		
32	VXP1006-005SS	+/- BUTTON		1		
33	VXP2100-015	D.FUNC BUTTON	LIGHT BLUE GREE	1		
34	FSXP3019-014	PUSH BUTTON	PTY/MONO:96-149	1		
35	FSXP3020-002	DETACH BUTTON		1		
36	VKW3001-321	COMP. SPRING		1		
37	VXP3763-001	EJECT BUTTON		1		
38	VXP3764-001	FF BUTTON		1		
39	VXP3765-001	REW BUTTON		1		
40	VKW3001-323	COMP. SPRING		3		
42	FSJC1016-002	REAR COVER		1		
43	VKZ4777-001	MINI SCREW	FRONT+REAR	8		
44	VYN3785-S002	NAME PLATE		1		
46	VMA4652-001SS	EARTH PLATE	TUNER PACK	1		
47	FSKL4007-002	IC BRACKET	FOR IC941	1		
48	FSYH2002-005	LAMP CASE		1		
49	VKM3861-001	REAR BRACKET		1		
50	SDST2606Z	SCREW	REAR BKT+ANT JA	1		
51	SDSF3006Z	SCREW	REAR BKT+PIN JA	1		
52	QMFZ021-100-J1	FUSE		1		
53	FSYH4036-004	SPACER	FOR LAMP CASE	1		
54	SDSF2608Z	SCREW	REAR BKT+CD CN	2		
61	FSYH4044-004	SHEET	FOE PRESET 2-5	1		
62	FSYH4045-001	SHEET	FOR LIGHT LENSE	1		

7 Paking of illustration and parts list

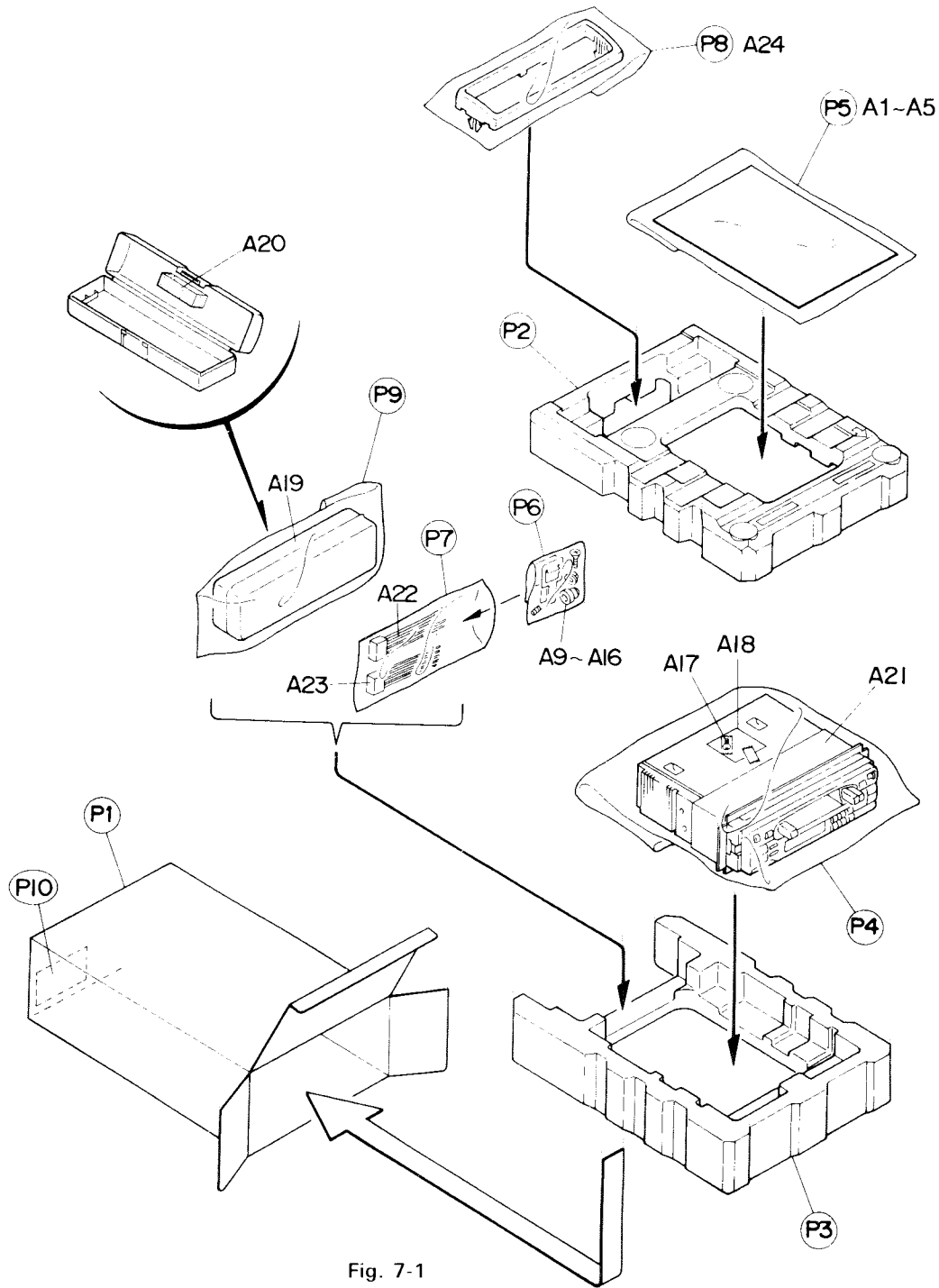


Fig. 7-1

● Packing parts list

BLOCK NO.

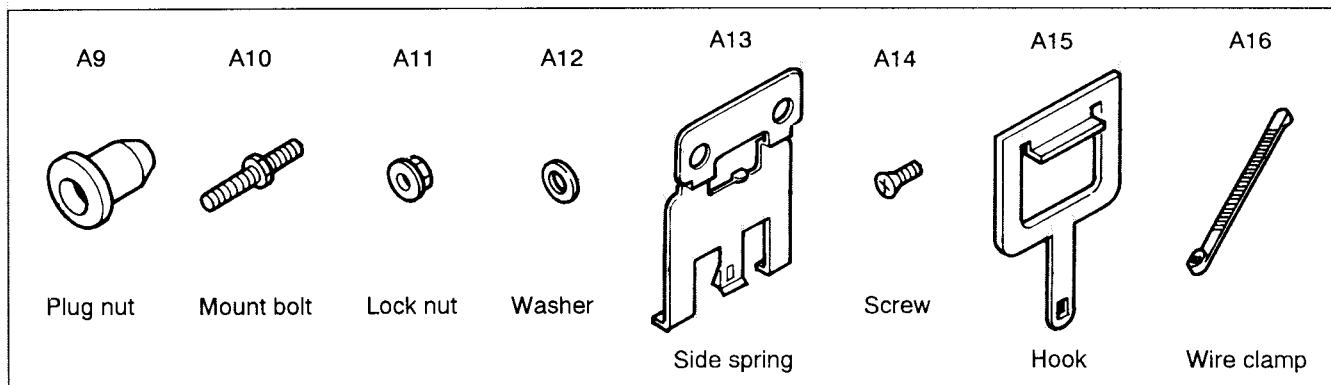
△	REF.	PARTS NO.	PARTS NAME	REMARKS	QTY	SUFFIX	CLR
	P 1	VPC3785-S001	CARTON		1		
	P 2	FSPH1003-002	CUSHION(TOP)	TOP SIDE	1		
	P 3	FSPH1004-001	CUSHION(BOTTOM)	BOTTOM SIDE	1		
	P 4	VPE3005-066	POLY BAG	SET	1		
	P 5	QPGB017-02404	POLY BAG	INSTRUCTIONS	1		
	P 6	QPGA008-01205	POLY BAG	SCREW KJT 1	1		
	P 7	QPGA010-03003	POLY BAG	FOR ISO CORD	1		
	P 8	QPGA010-03003	POLY BAG	FOR TRIM PLATE	1		
	P 9	QPGA010-03003	POLY BAG	FOR HARD CASE	1		
	P 10	-----	CARTON LABEL	CARTON(CODE39)	1		

● Accessories

BLOCK NO. M4MM

△	REF.	PARTS NO.	PARTS NAME	REMARKS	QTY	SUFFIX	CLR
	A 1	VNN3785-451S	INSTRUCTIONS		1	E	
		VNN3785-471S	INSTRUCTIONS		1	E	
		VNN3785-481S	INSTRUCTIONS		1	E	
		VNN3785-211S	INSTRUCTIONS		1		
	A 2	VNC2400-090	CAUTION SHEET		1		
	A 3	VND3050-002	IDENTITY CARD		1		
		BT-20066A	SERVICE NIT LIS		1	B	
	A 5	BT-54003-1	WARRANTY CARD		1	B	
		BT-20135	WARRANTY CARD		1	G	
	A 9	VKZ4027-012	PLUG NUT		1		
	A 10	VKH4871-001	MOUNT BOLT		1		
	A 11	VKZ4328-001	LOCK NUT	FOR M5	1		
	A 12	WNS5000Z	WASHER		1		
	A 13	VKY3124-001	SIDE SPRING		2		
	A 14	SSSP4006Z	SCREW	FOR SIDE SPRING	4		
	A 15	VKL7233-001	HOOK		2		
	A 16	QHX2075-001	WIRE CLAMP	FOR CORD HOLDER	1		
	A 17	SPSJ1725M	MINI SCREW		1		
	A 18	VND4619-005	SHEET		1		
	A 19	VJB2014-202	HARD CASE		1		
	A 20	VYSH118-002	SPACER		1		
	A 21	VKM3819-001	MOUNTING SLEEVE		1		
	A 22	VMP3291-002	ISO SP CORD		1		
	A 23	VMP3292-102	ISO POWER CORD		1		
	A 24	FSJD2004-003	TRIM PLATE		1		
	KIT 1	KSRT600K-SCREW1	SCREW PARTS KIT	A9-A16	1		
	KIT 2	KSRT75RK-SCREW2	SCREW PARTS KIT	A17,A18	1		

■ Accessories: SCREW KIT 1 break down



VICTOR COMPANY OF JAPAN, LIMITED
 AUDIO PRODUCTS DIVISION 10-1, 1-chome, Ohwatari-machi, Maebashi-city, Japan